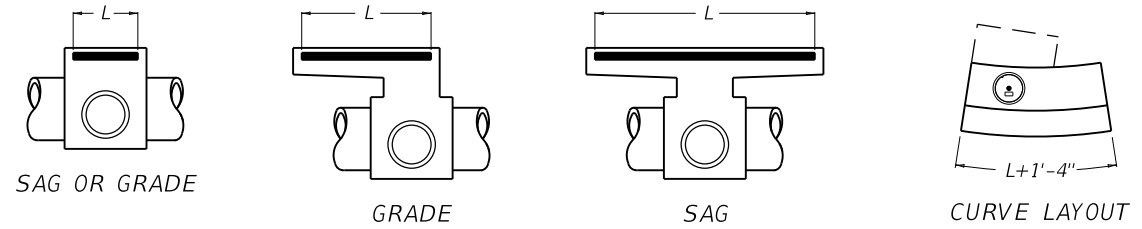
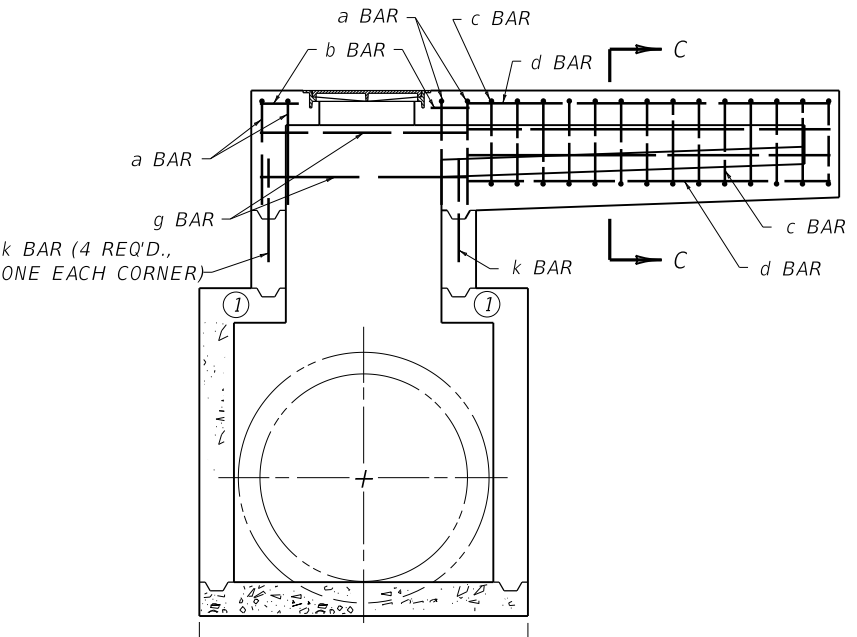
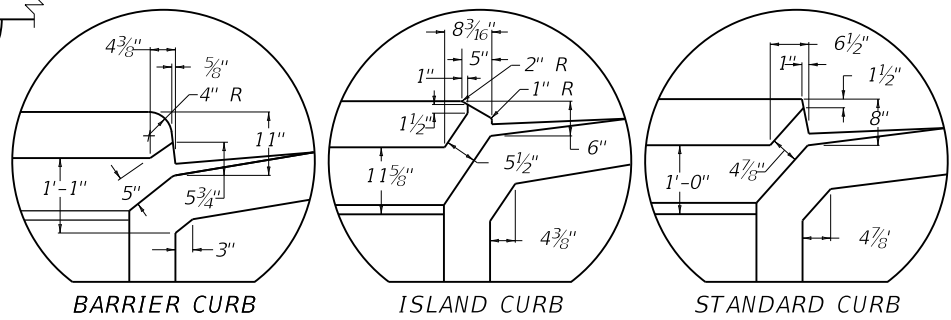


PLAN VIEW

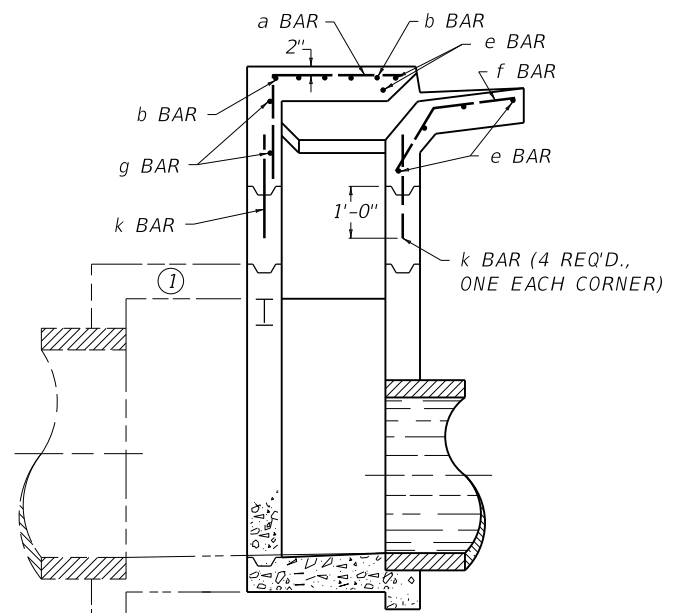


~ NOTES ~

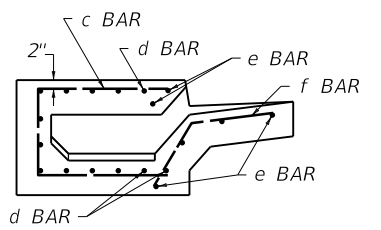
- ① SEE CUR. STD. DWG. RDB-273 FOR LID REINFORCEMENT.
- 2. e, f, AND g BARS SPACED 1'-0" O.C. ALL OTHER BARS SPACED 6" O.C. EXCEPT WHERE OTHERWISE SPECIFIED.
- 3. PLACE ALL STEEL REINFORCEMENT 2" FROM INSIDE OF INLET WALL EXCEPT WHERE OTHERWISE SPECIFIED.



SECTION A-A



SECTION B-B



SECTION C-C

USE WITH CUR. STD. DWGS.
 RDB-270 RDB-272 RDB-273
 RDB-400 RDB-410 RDB-420

KENTUCKY DEPARTMENT OF HIGHWAYS	
CURB BOX INLET TYPE A (STEEL DRAWING)	
STANDARD DRAWING NO. RDB-271-05	
SUBMITTED <i>[Signature]</i>	12-01-15 <small>DATE</small>
APPROVED <i>[Signature]</i>	12-01-15 <small>DATE</small>